 <b>MTC Inc.</b> <small>Microwave Tech &amp; Communications Inc.</small>	Date	Version No.	1.0
	Subject		

# MTC, Inc.

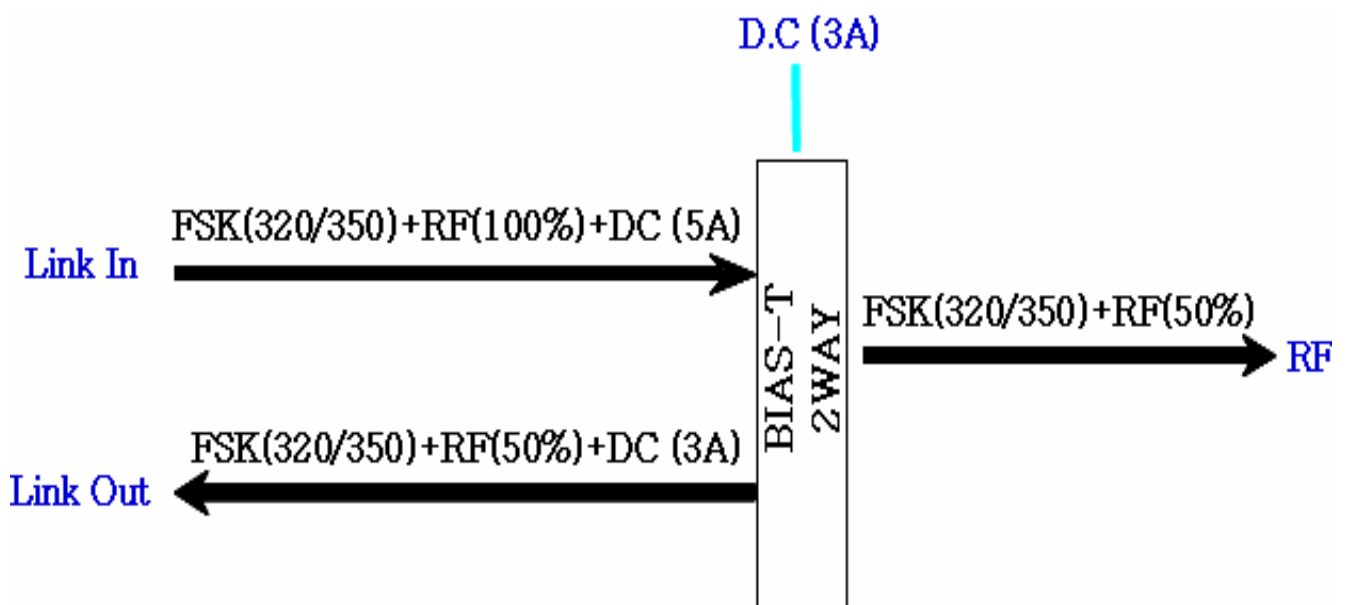
## PRODUCT SPECIFICATION FOR INFORMATION

PRODUCT NAME : Bias-T 2WAY Divider

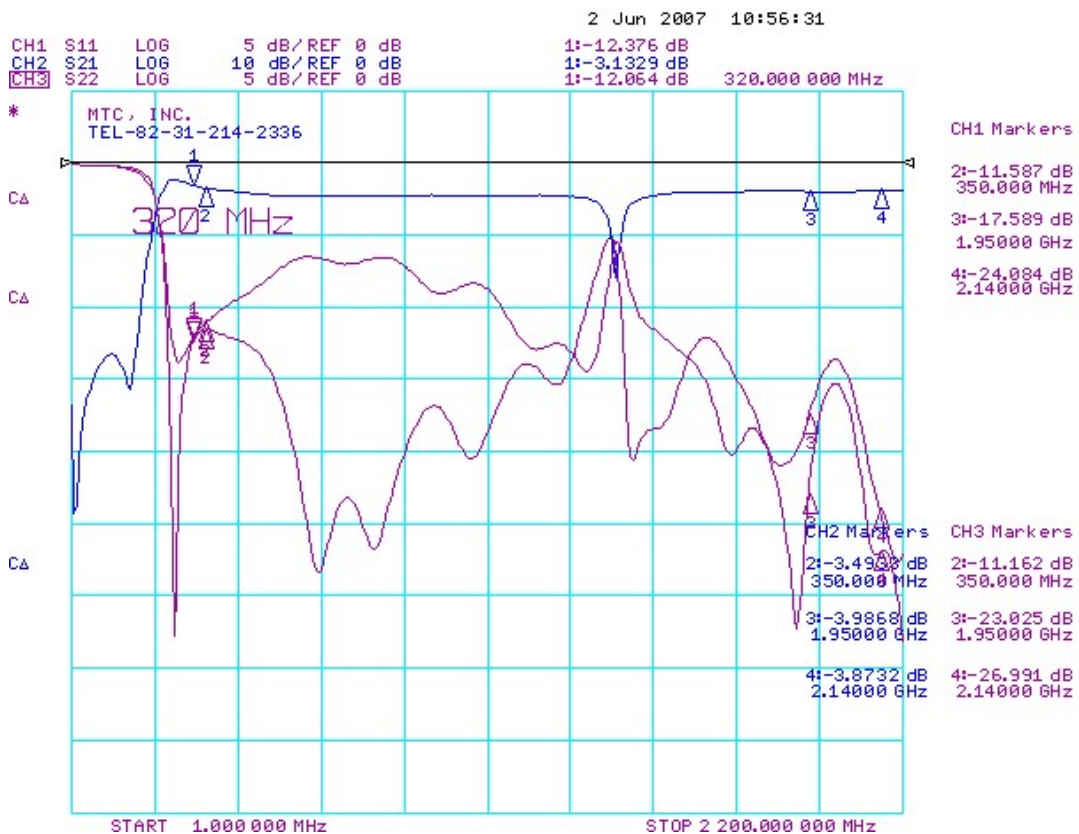
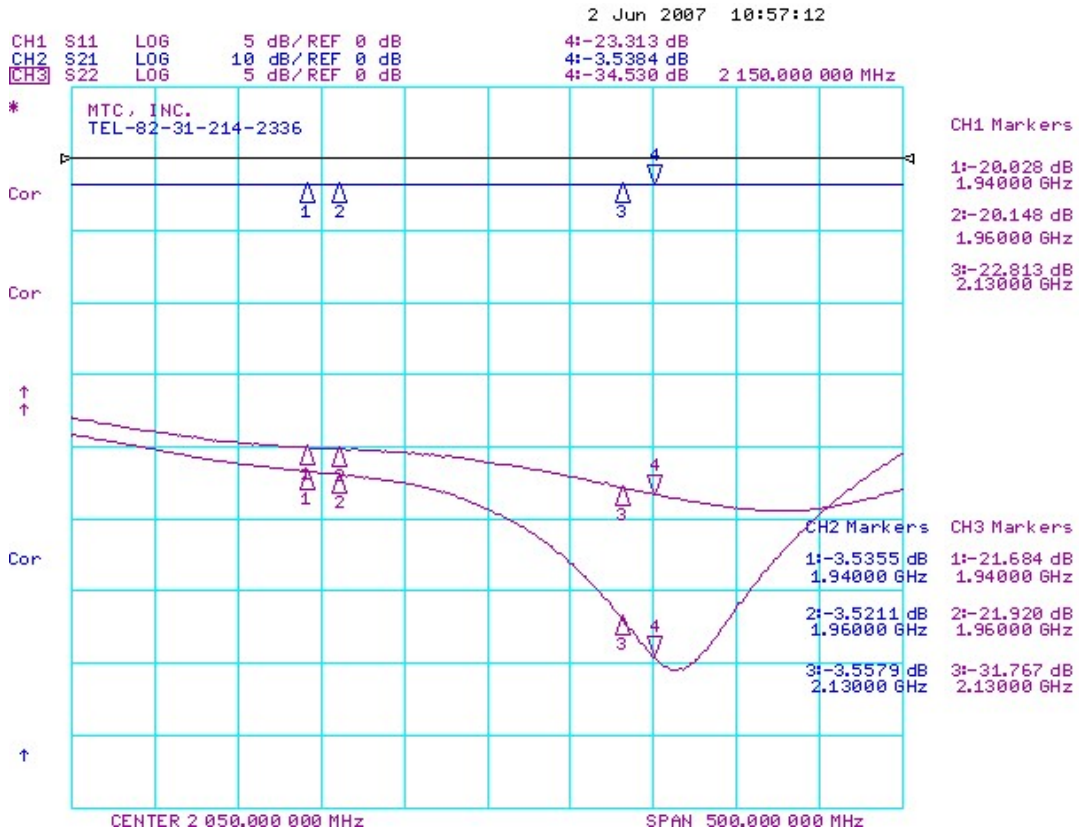
PART NO: RAU Bias-T

사용주파수	Rx : 1940MHz~1960 MHz,	Tx : 2130MHz~2150MHz	Modem : 320MHz ~ 350MHz
반사손실	18dB min.(대역별)		—
삽입손실	4.0dB max.(대역별)		5.0dB max.
평탄도	0.2dB max.(대역별)		—
Isolation	20dB min.(대역별)		—
Amplitude Balance	0.4dB max.(대역별)		
DC 조건	입력 출력 N-Type전류 5A @ 29.2V (MAX)		
	출력 N-type 전류 3A @ 29.2V 포트당 (MAX)		
	출력 Molex PIN 전류 3A @ 29.2V (MAX)		
Temperature Range	-20℃ ~ 75℃/ 습도 90%		
Impedance	50Ω		

### Block Diagram



Graph



2 Jun 2007 10:57:35

CH1 S11 LOG 5 dB/REF 0 dB  
 CH2 S21 LOG 10 dB/REF 0 dB  
 CH3 S22 LOG 5 dB/REF 0 dB

4:-21.460 dB  
 4:-25.705 dB  
 4:-22.489 dB 2 150.000 000 MHz

