

# MTC, Inc.

## PRODUCT SPECIFICATION FOR INFORMATION

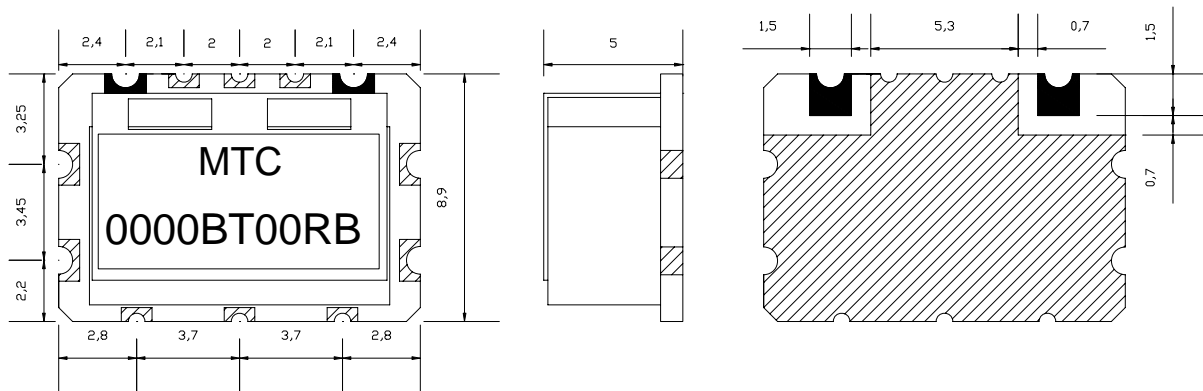
PRODUCT NAME : MBMP TYPE

PART NO : MBMP44R2160BT20RB

| ITEM             | SPEC.               |
|------------------|---------------------|
| Center frequency | 2160 MHz            |
| Bandwidth        | 20MHz               |
| Insertion loss   | 3.0 dB max.         |
| Ripple           | 0.5 dB max.         |
| V.S.W.R.         | 1.4 : 1             |
| Attenuation      | 35dB @ Fc +/- 70MHz |
| In/Out Impedance | 50 ohm              |

NOTE : EQUIPMENT used HP 8753E

### DIMENSION



PORT
  GND
 Tolerance : +/- 0.2  
 Unit : mm

Graph

