

MTC, Inc.

PRODUCT SPECIFICATION FOR INFORMATION

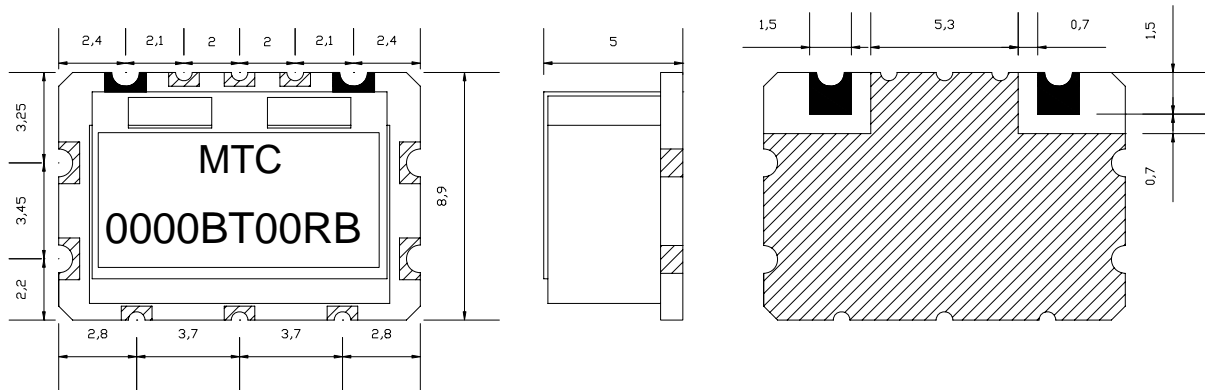
PRODUCT NAME : MBMP TYPE

PART NO : MBMP44R1970BT20RB

ITEM	SPEC.
Center frequency	1970 MHz
Bandwidth	20MHz
Insertion loss	3.0 dB max
Ripple	0.5 dB max
V.S.W.R.	1.4 : 1
Attenuation	35dB @ Fc+/- 70MHz
In/Out Impedance	50 ohm

NOTE : EQUIPMENT used HP 8753E

DIMENSION



PORT
 GND
 Tolerance : +/- 0.2
 Unit : mm

Graph

